



# DATASHEET: CORAX



## SPECIFICATIONS

Operating voltage:	48VDC
Dimmer type:	LRT-300-48DIM in combination with DA-SPV-DR2
Dim range:	0%-100%
Light source:	LED
Power consumption:	9W
Energylabel:	A+
Light output:	940lumen
Efficiency:	104.4lm/W
Light colour:	2900K
Expected lifetime:	60,000hrs
Operating temp:	-10°C < Ta < +40°C
Nett weight (excl. IUL BASE):	230gr
Warranty:	3 Years

## MATERIALS

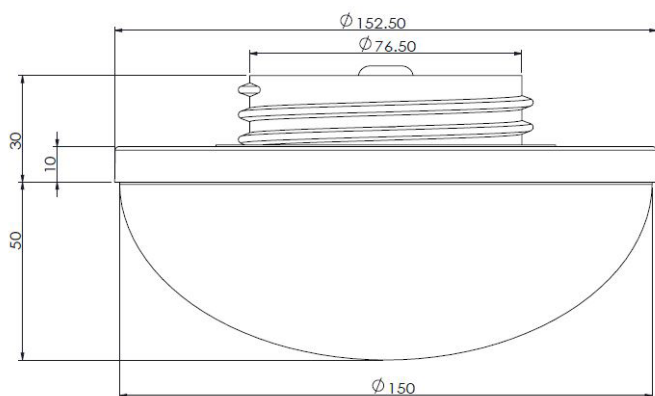
Cover:	Impact resistant PMMA
Base:	Polycarbonate

## APPLICATION

Boilers and breeder houses



## DIMENSIONS



Max. CORAX in one line with 1,5 mm<sup>2</sup> cable:

Distance between CORAX	Total CORAX in one line
3 meter	18
4 meter	16
4.5 meter	15
5 meter	15





## EXP. LIFETIME

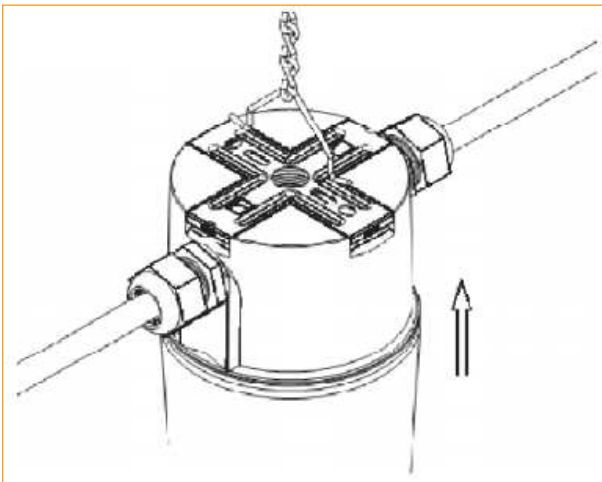
PULSA	Ta [°C]	expected lifetime [hrs]
With(out) dirt	≤30	60,000
With dirt	≤40	55,000
Without dirt	≤40	60,000

## PRODUCT DETAILS

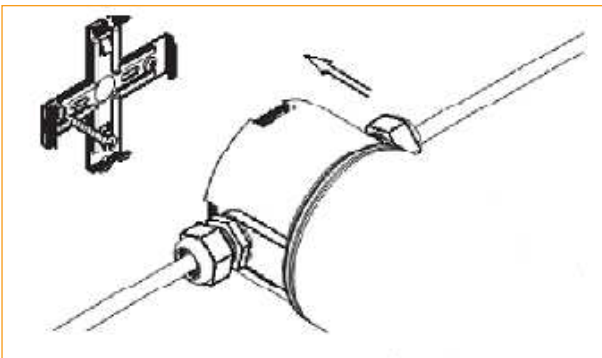
Art.nr.: CORAX-9-D-WW  
 Power supply housing art.nr.: PSH2  
 Width: 400mm | Height: 400mm | Depth: 200mm

## ACCESSORIES INCL.

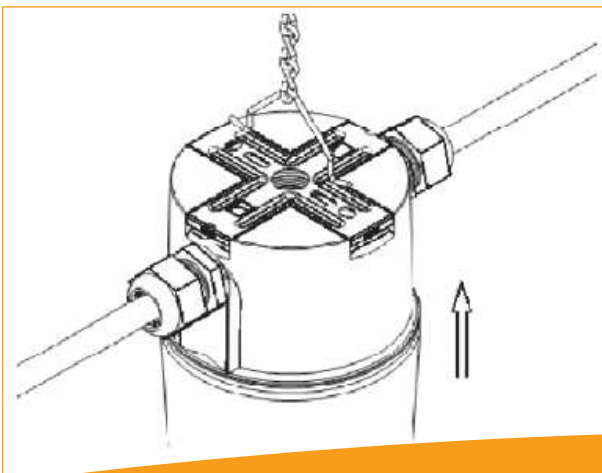
Clip + triangle for pendant mounting:



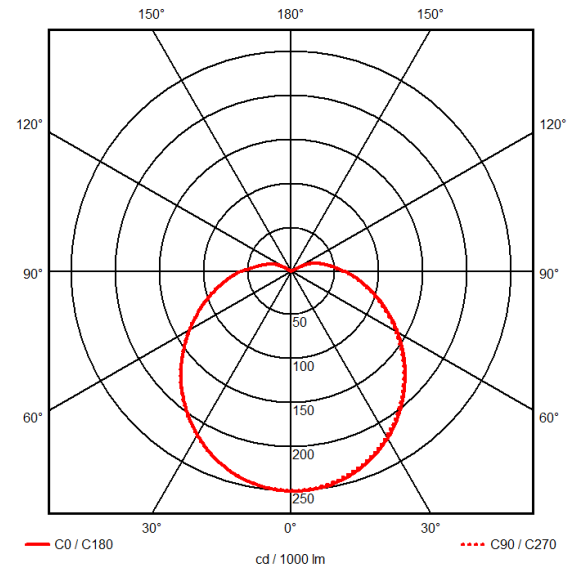
Clip + triangle for pendant mounting:



Cable mounting:



## LIGHT SPREAD



## MARKINGS



**JF MCKENNA**  
 Smarter for Poultry